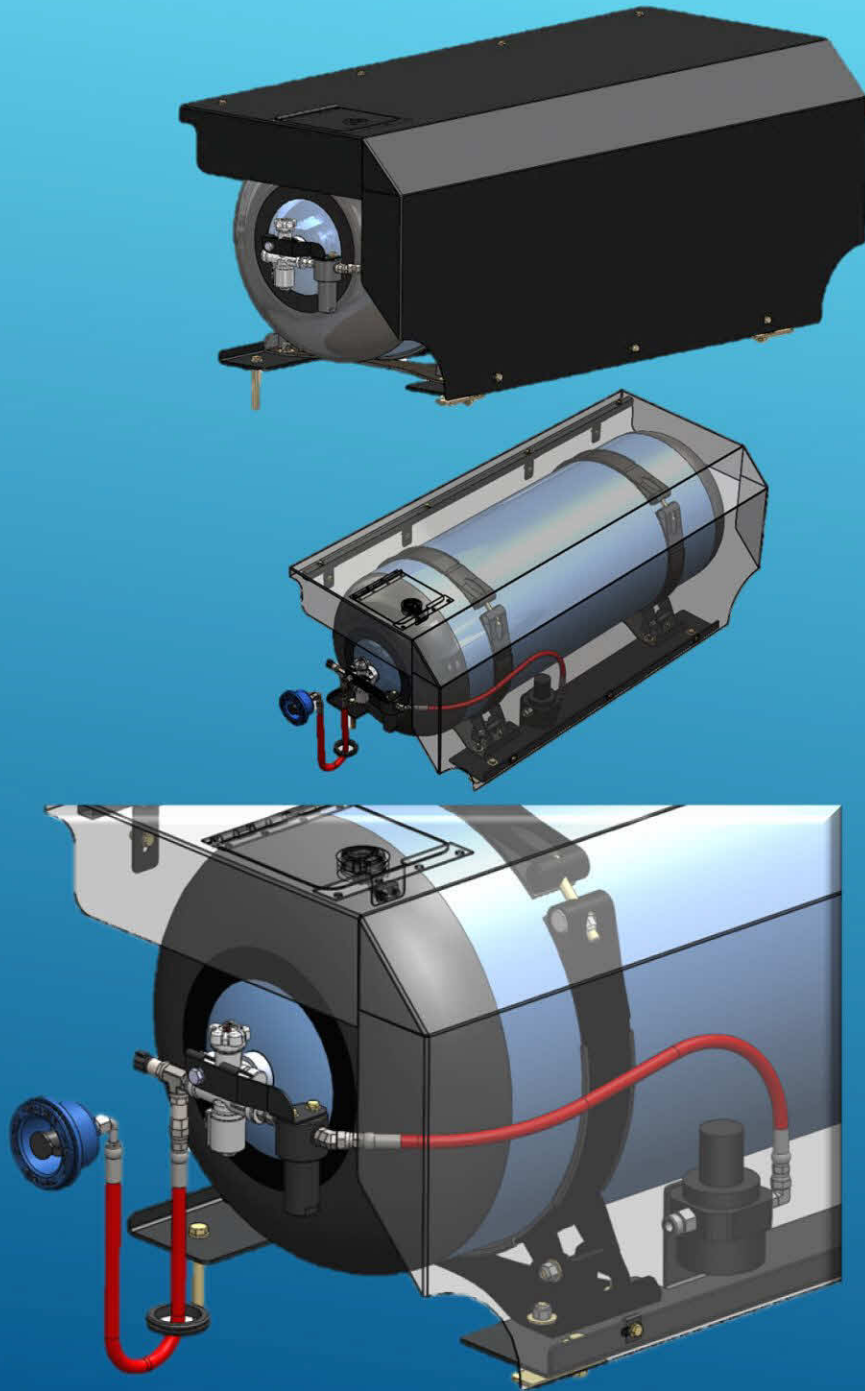


STANDARD PICK-UP TANK PACKAGE

- 21.5" x 60" Type 4 Tank (24.5 GGE's)
- Low Profile and Clean Look
- Utilizes Factory Bed Mount Locations
- High Gloss Black Powder Coated Steel Tank Cover
- Tank Cover Also Available in Diamond Plate Aluminum
- Flush Mounted Latch for Valve Access Door



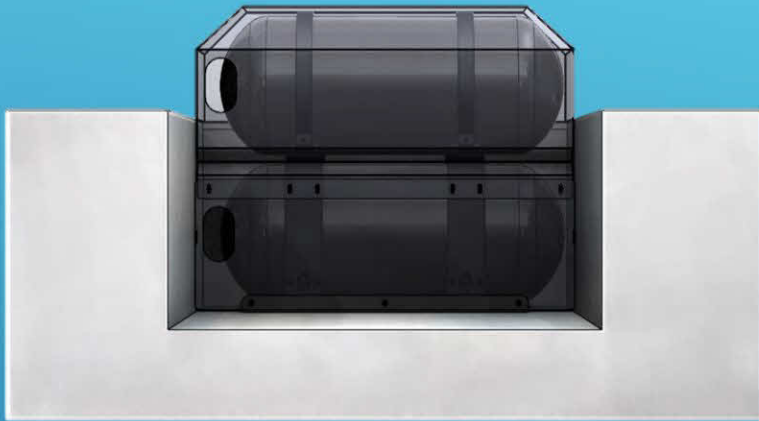
TOOLBOX PICK-UP TANK PACKAGE



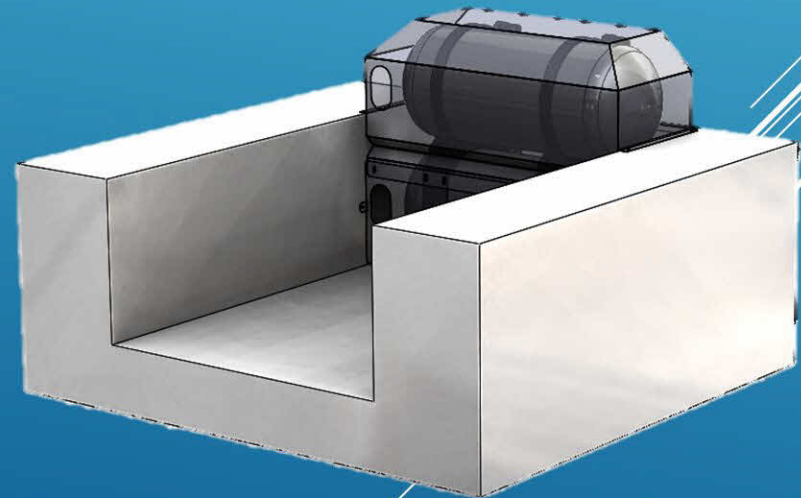
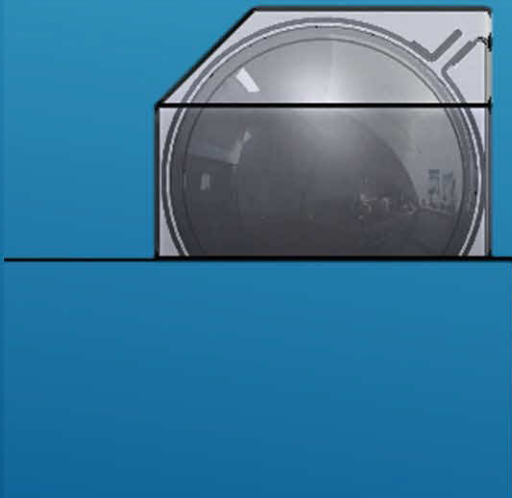
- 16" x 57" Type 2 Tank (**12.6 GGE's**)
- Make Up for Lost Bed Space!
- Mounts Fill Nozzle to Avoid Cutting Truck Bed
- High Gloss Black Powder Coated Steel Toolbox
- Aluminum Toolbox Skirt for Tank Cover
- Flush Mounted Latch for Valve Access Door



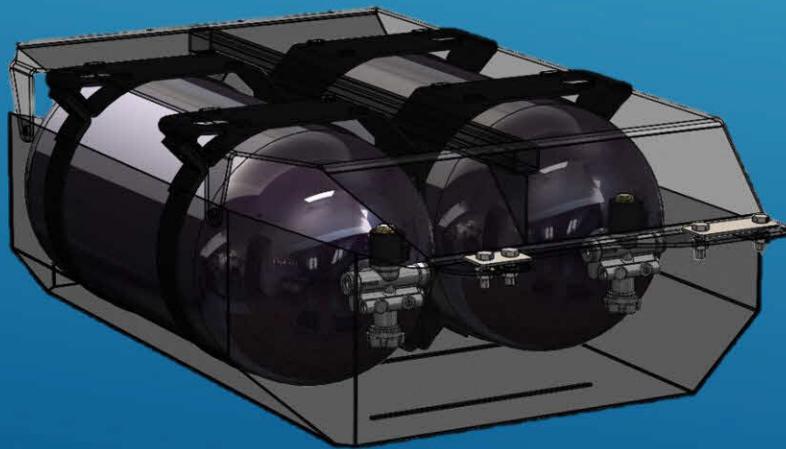
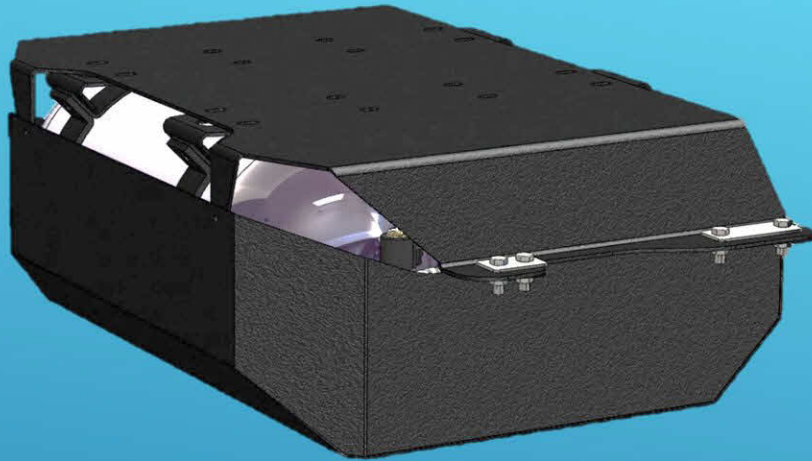
SERVICE BED TANK PACKAGE



- (2) 19" x 45" Type 3 Tank
(**23.6 GGE's**)
- Clean Look
- Utilizes Factory Bed Mount Locations
- Diamond Plate Aluminum Tank Cover
- High Gloss Black Powder Coated Steel Tank Cover Also Available



SNO-Motion Solutions
www.sno-motion.com



GM/FORD VAN UNDERBODY TANK PACKAGE

- (2) 13.2" x 31" Type 1 Tanks
(9.2 GGE's)
- Low Profile and Clean Look
- Utilizes Factory Hole Locations
- High Gloss Black Powder Coated Steel Tank Cover
- Relocation of Spare Tire Necessary if Desired
- Virtually Unnoticeable from Road



